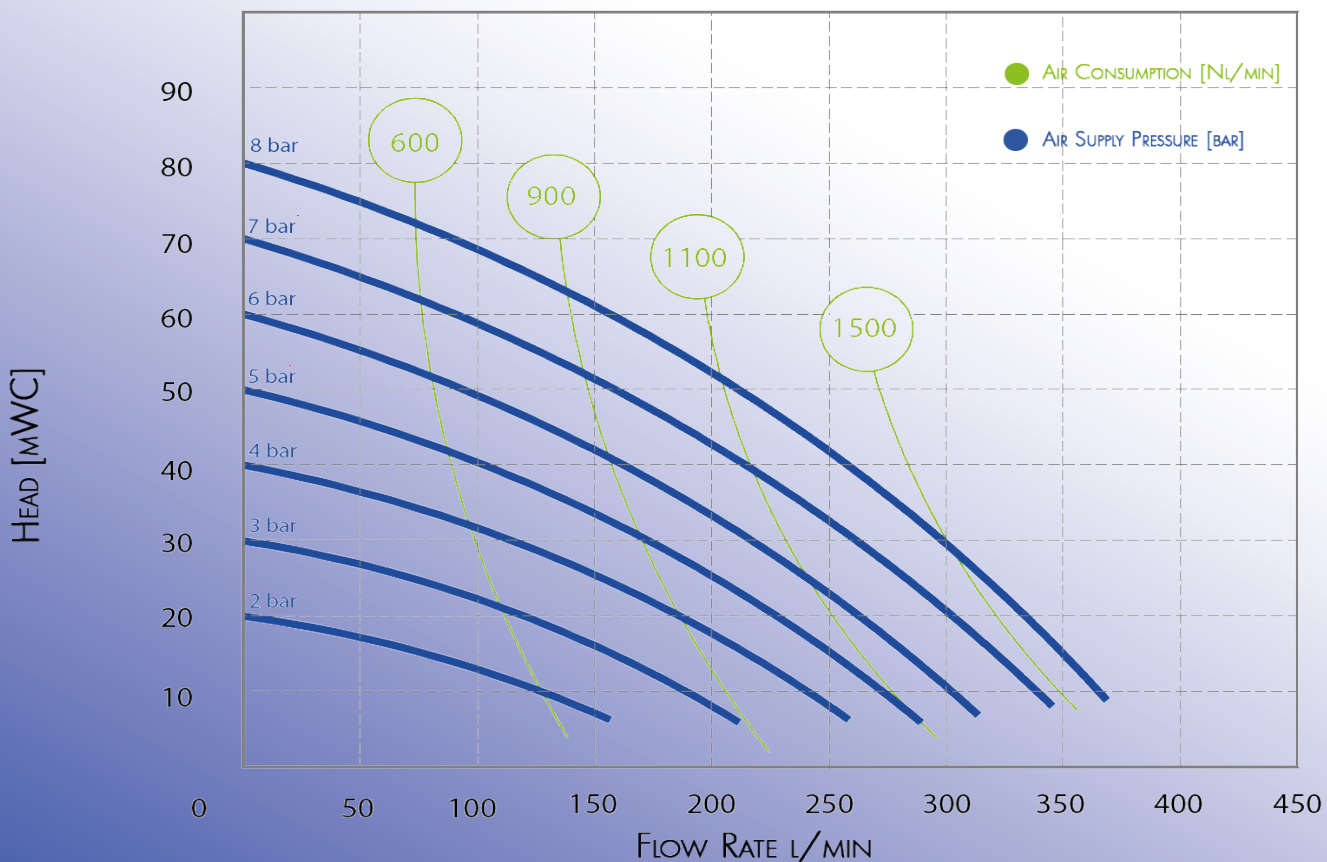
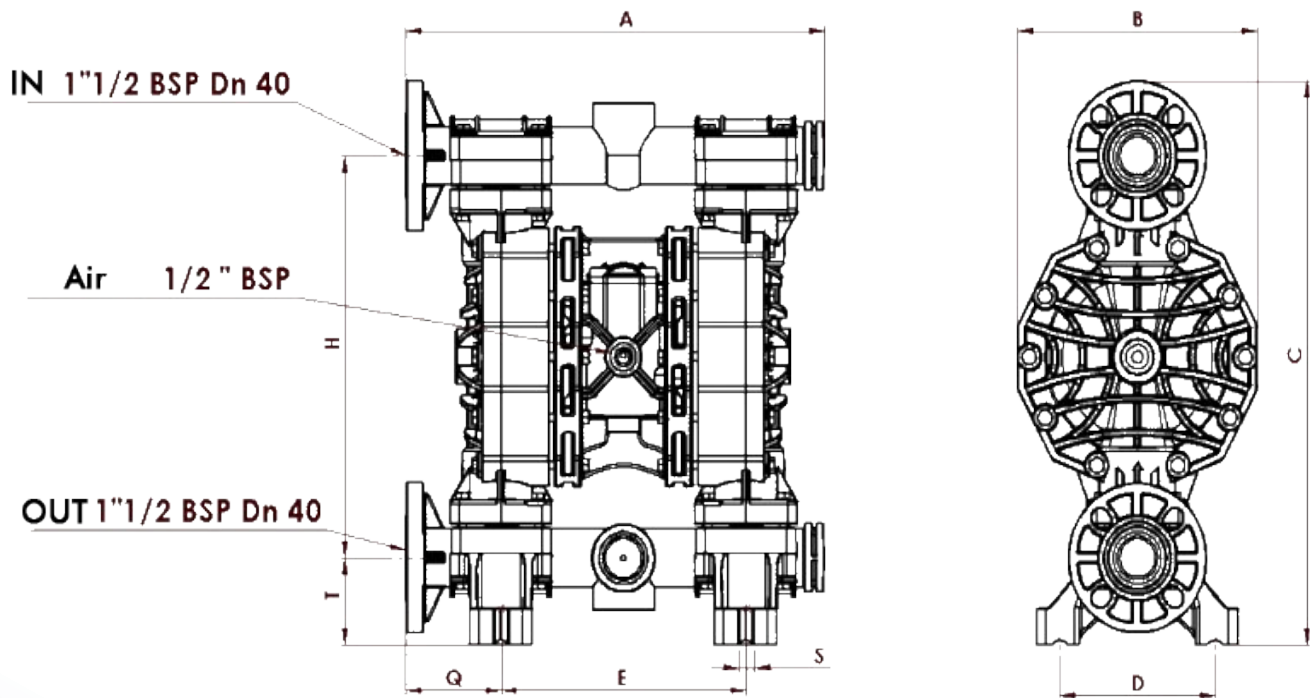


AIR OPERATED DIAPHRAGM PUMP MPF 40

TECHNICAL DATA	
Ports (fluid)	G 1½" (Standard) Flange DN40 (optional)
Ports (air supply)	G ½"
Flow rate (max.)	22,8 m³/h (380 l/min)
Total Head (max.)	80 mWC
Suction head dry (max.)	5 mWC
Suction head wet (max.)	9,8 mWC
Particle size (max.)	8 mm
Noise level	78 dbA
Air pressure (min. - max.)	2 - 8 bar
Temperature	-4 - 95 °C





Model	A	B	C	D	E	H	Q	S	T
PP/PVDF/ALU	454	260	562	190	265	400	104	13	87
VA	361	261	502	165	211	418	-	9	52

Model configuration						
	Housing	Diaphragms	Ballls	Seats	Gasket	Connections
	PP - Polypropylene PV - PVDF + Kohlefasern VA - Stainless Steel AL - Aluminium	N - NBR E - EPDM S - Santoprene TN - PTFE+Hytre TS - PTFE+Santop. H - Hytre	N - NBR T - PTFE E - EPDM X - VA	P - PP M - PVDF X - Stainless Steel Z - PE+UHMWE	N - NBR E - EPDM V - FKM T - PTFE	G - BSP N - NPT F - Flange
Example configuration						
MPF 40-	PP	TN	T	P	E	G

Repair kits		
Set 1	Dry end	Air valve, silencer, gasket
Set 2	Wet end	Diaphragms, ball cages, balls, seats, housing gasket

SUBJECT TO TECHNICAL MODIFICATIONS