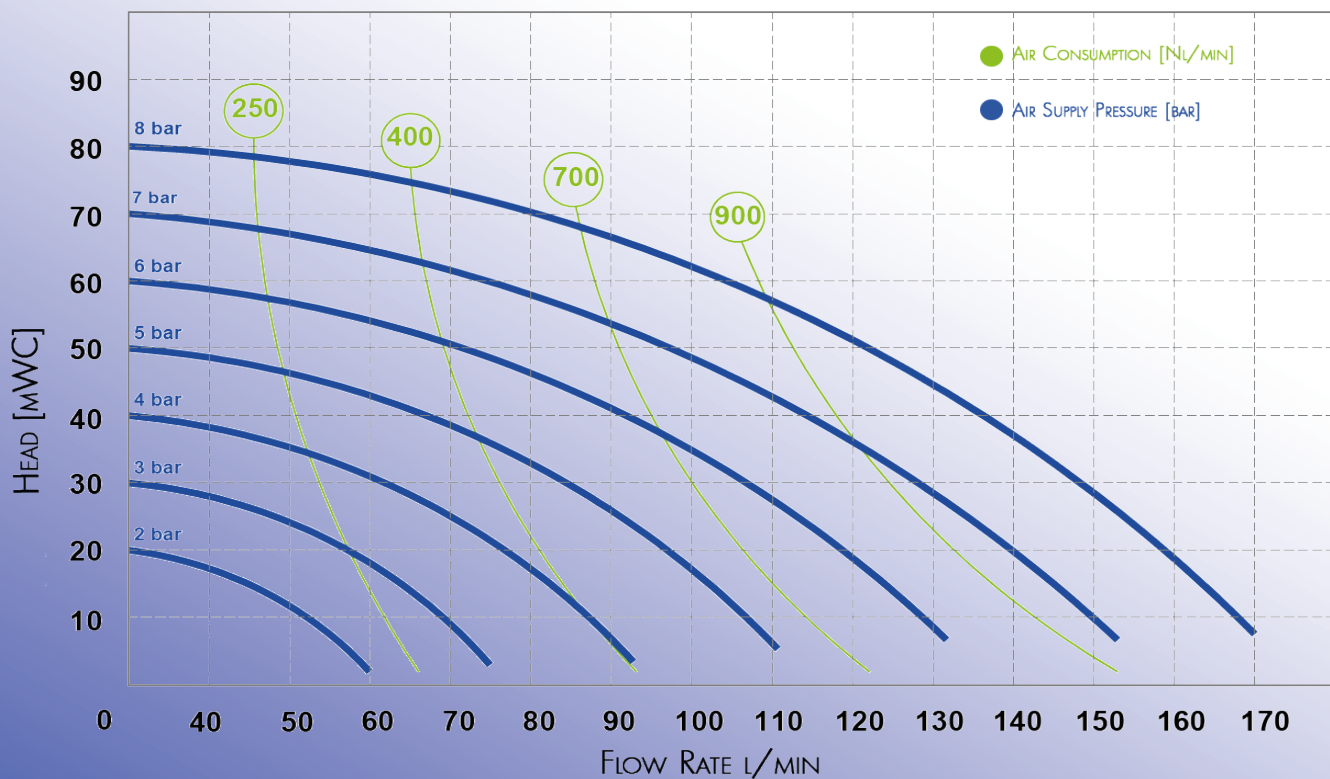
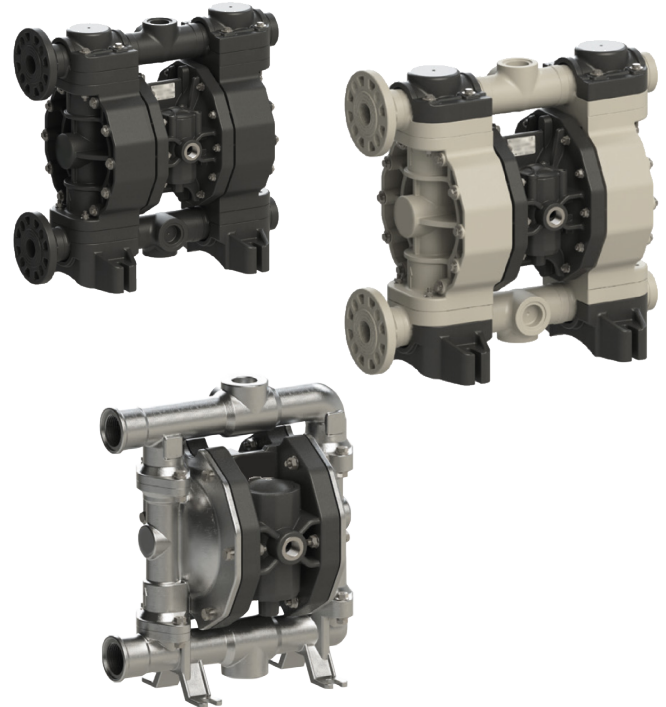
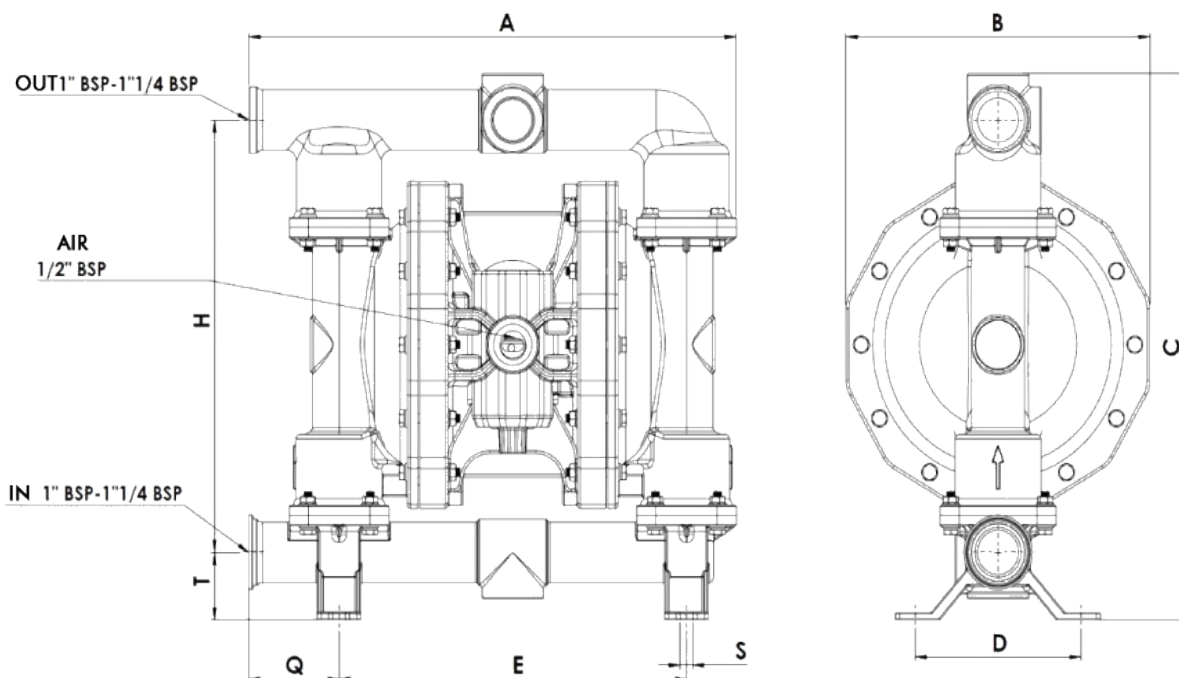


AIR OPERATED DIAPHRAGM PUMP MPF 25

TECHNICAL DATA	
Ports (fluid)	G 1" (Standard) Flansche DN25 (optional)
Ports (air supply)	G 1/2"
Flow rate (max.)	10,2 m ³ /h (170 l/min)
Total Head (max.)	80 mWC
Suction head dry (max.)	5 mWC
Suction head wet (max.)	9,8 mWC
Particle size (max.)	7,5 mm
Noise level	75 dbA
Air pressure (min. - max.)	2 - 8 bar
Temperature	-4 - 95 °C





Dimensions [mm]

Model	A	B	C	D	E	H	Q	S	T
PP/PVDF/ALU	430	222	414	156	238	296	113	9	62,5
VA	356	222	371	129	254	293,5	66	9	46

Model configuration						
	Housing	Diaphragms	Ballls	Seats	Gasket	Connections
	PP - Polypropylene PV - PVDF + CFK VA - Stainless Steel AL - Aluminium	TN - PTFE+Hytrel S - Santoprene TS - PTFE+Santop. H - Hytrel E - EPDM N - NBR	N - NBR T - PTFE E - EPDM X - VA	P - PP M - PVDF X - Stainless Steel Z - PE+UHMWE	N - NBR E - EPDM V - FKM T - PTFE	G - BSP N - NPT F - Flange
Example configuration						
MPF 25-	PP	TN	T	P	E	G

Repair kits		
Set 1	Dry end	Air valve, silencer, gasket
Set 2	Wet end	Diaphragms, ball cages, balls, seats, housing gasket

SUBJECT TO TECHNICAL MODIFICATIONS