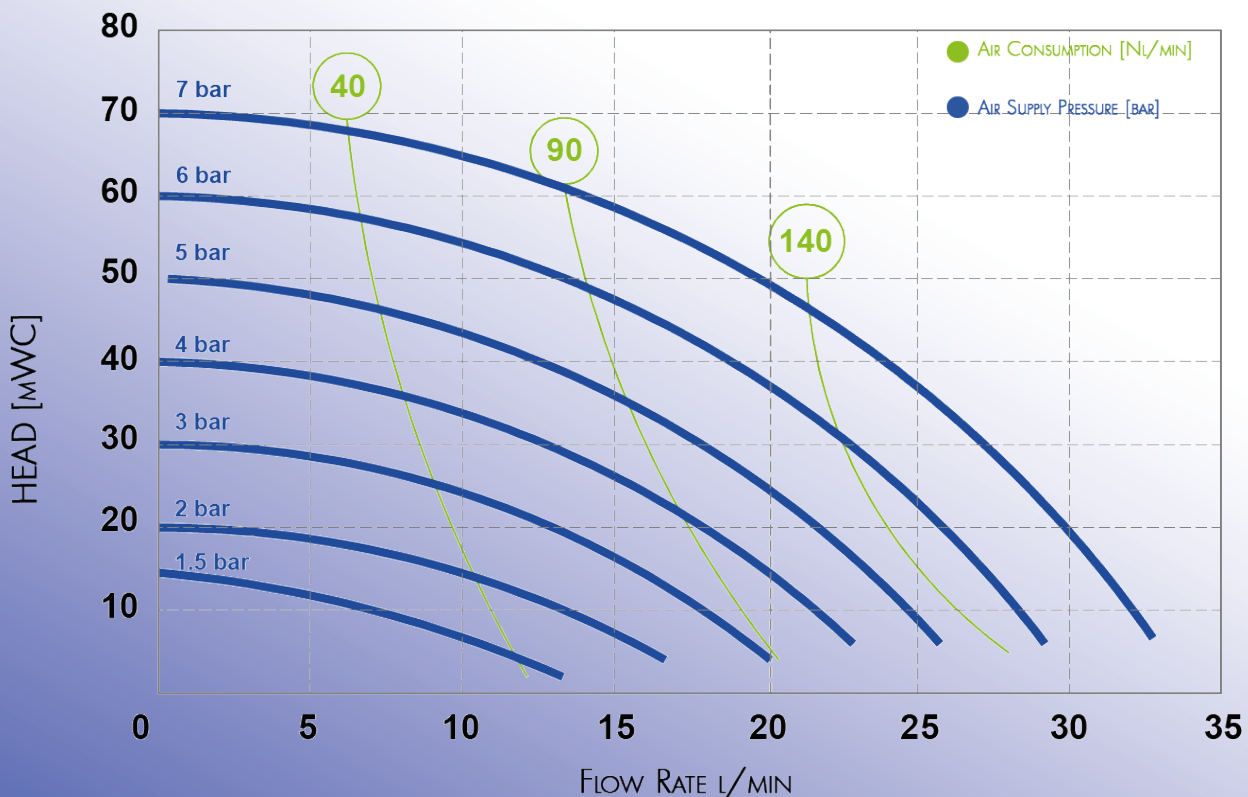
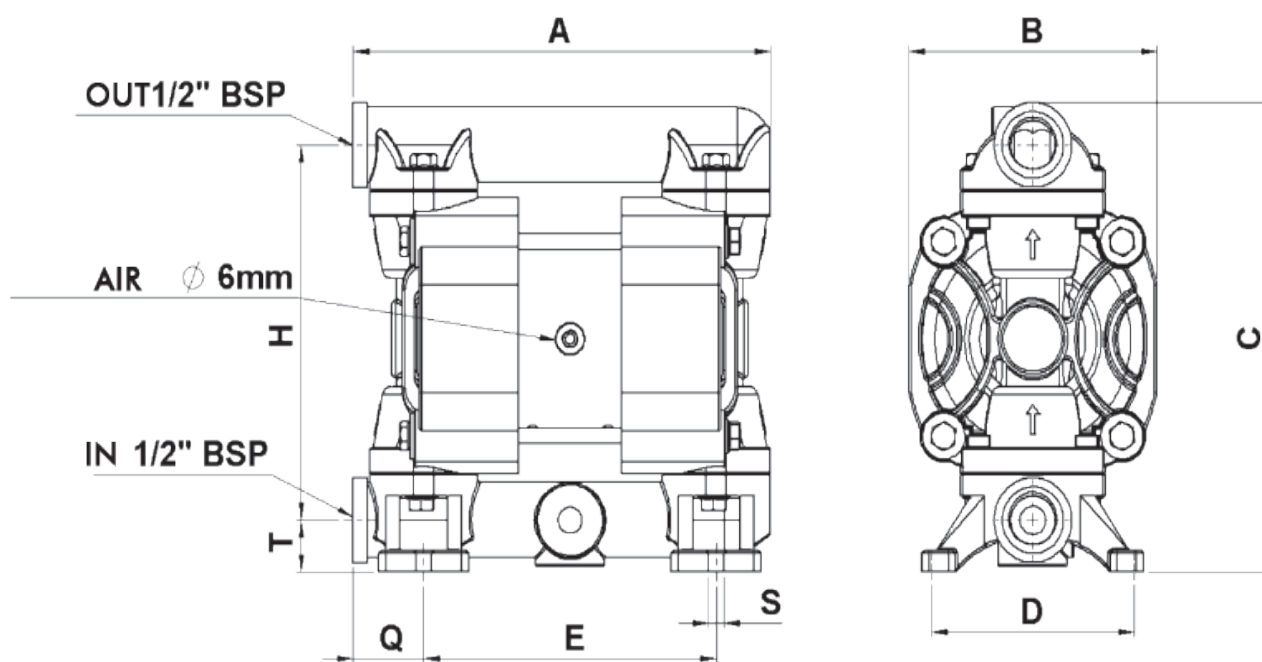


AIR OPERATED DIAPHRAGM PUMP MPF 15K

TECHNICAL DATA	
Ports (fluid)	G 1/2" (Standard) Flange DN15 (optional)
Ports (air supply)	6 mm
Flow rate (max.)	3,9 m ³ /h (35 l/min)
Total Head (max.)	70 mWC
Suction head dry (max.)	5 mWC
Suction head wet (max.)	9,8 mWC
Particle size (max.)	3 mm
Noise level	65 dbA
Air pressure (min. - max.)	1,5 - 7 bar
Temperature	-4 - 95 °C





Dimensions [mm]

Model	A	B	C	D	E	H	Q	S	T
PP/PVDF/ALU	177	105	183	86	124	146	30	6,5	20
VA	181	106	192	70	86	152	53	6,5	22,5

Model configuration						
	Housing	Diaphragms	Ballls	Seats	Gasket	Connections
	PP - Polypropylene PV - PVDF + CFK VA - Stainless Steel AL - Aluminium	TN - PTFE+Hytrel S - Santoprene TS - PTFE+Santop. H - Hytrel	N - NBR T - PTFE E - EPDM X - VA	P - PP M - PVDF X - Stainless Steel Z - PE+UHMWE	N - NBR E - EPDM V - FKM T - PTFE	G - BSP N - NPT F - Flage
Example configuration						
MPF 15K-	PP	TN	T	P	E	G

Repair kits		
Set 1	Dry end	Air valve, silencer, gasket
Set 2	Wet end	Diaphragms, ball cages, balls, seats, housing gasket

SUBJECT TO TECHNICAL MODIFICATIONS