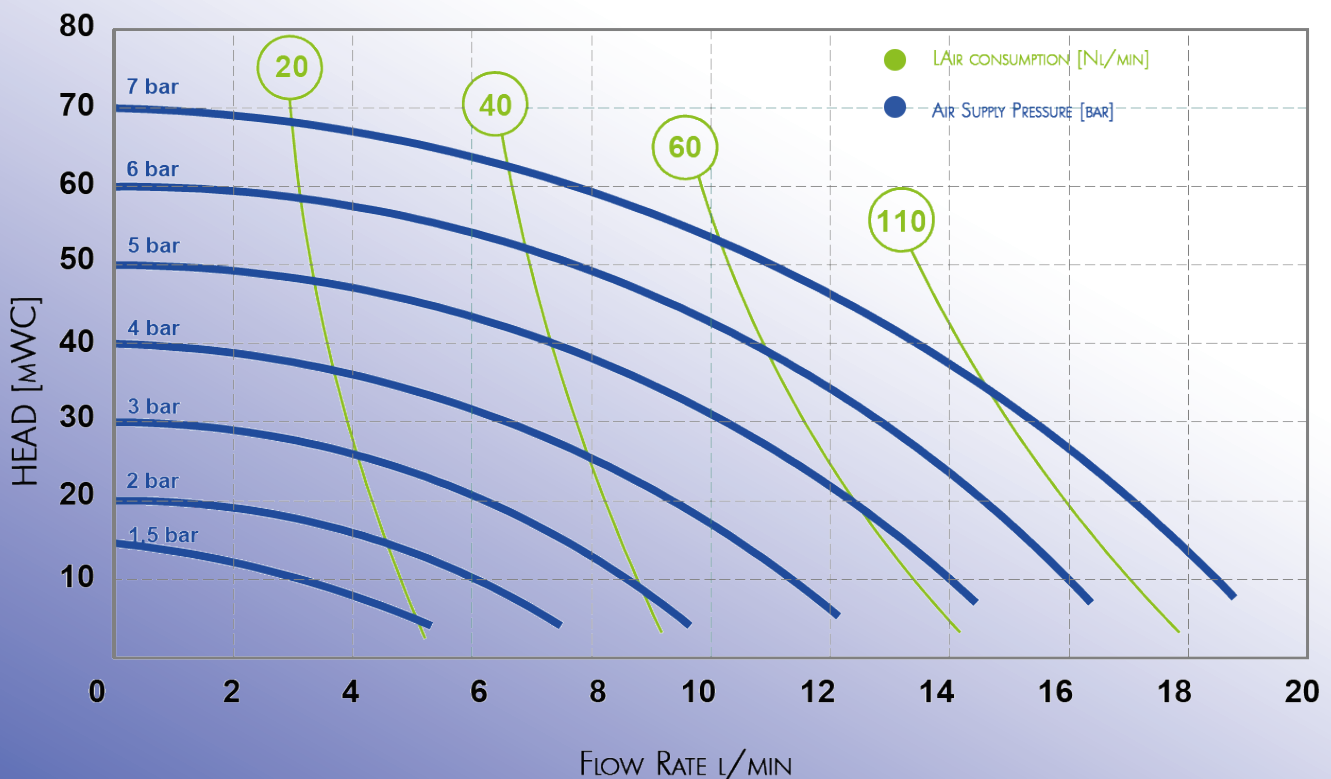
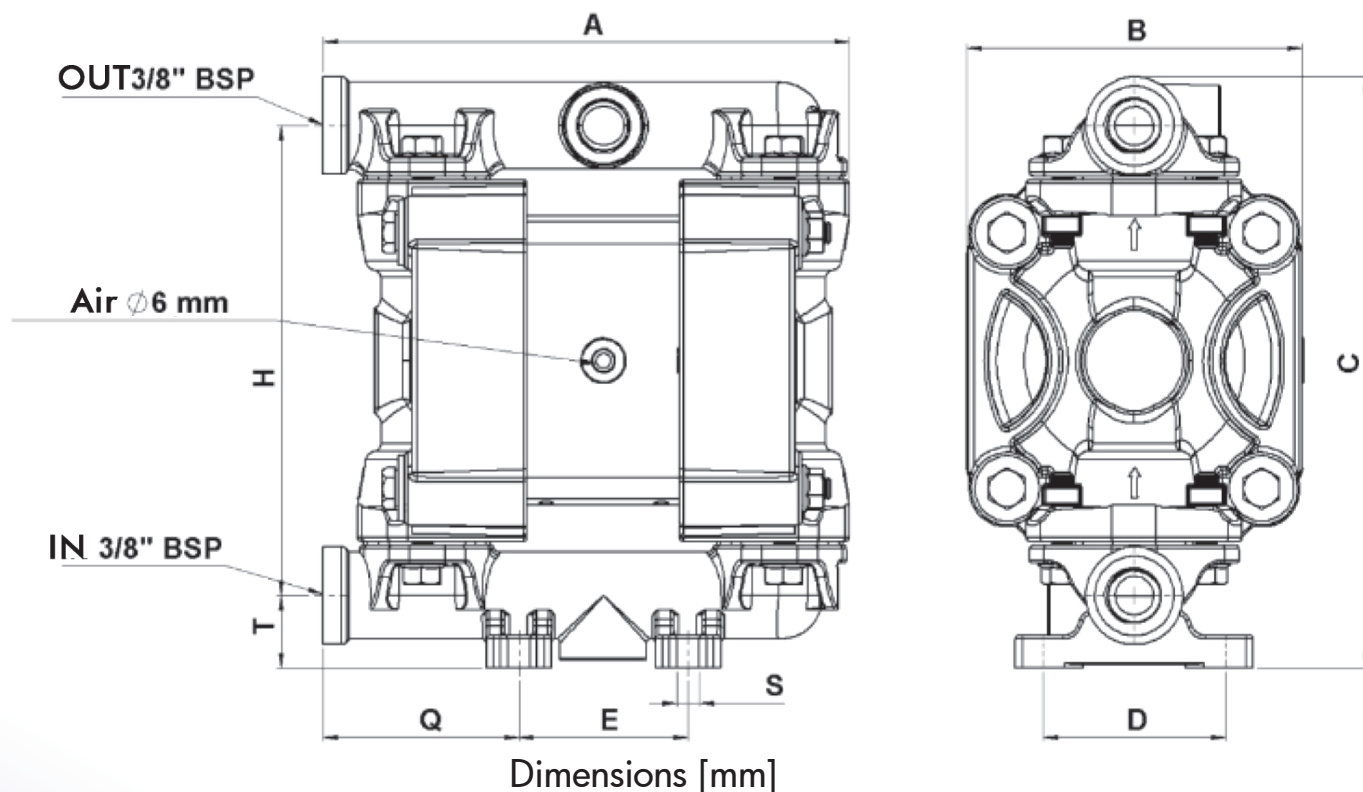


AIR OPERATED DIAPHRAGM PUMP MPF 10

TECHNICAL DATA	
Ports (fluid)	G 3/8" (Standard)
Ports (air supply)	6 mm
Flow rate (max.)	1,2 m ³ /h (20 l/min)
Total Head (max.)	70 mWC
Suction head dry (max.)	5 mWC
Suction head wet (max.)	9,8 mWC
Particle size (max.)	2,5 mm
Noise level	65 dbA
Air pressure (min. - max.)	1,5 - 7 bar
Temperature	-4 - 95 °C





Model	A	B	C	D	E	H	Q	S	T
PP/PVDF	146	93	164	50	47	130	55	6	20
VA	148	85	153	47	51	122	56	6	18

Model configuration						
	Housing	Diaphragms	Ballls	Seats	Gasket	Connections
	PP - PP + GFK PV - PVDF + CFK VA - Stainless Steel AL - Aluminium PPK- PP + CFK	TN - PTFE+Hytel S - Santoprene TS - PTFE+Santop. H - Hytel	N - NBR T - PTFE E - EPDM X - VA	P - PP M - PVDF X - Stainless Steel Z - PE+UHMWE	N - NBR E - EPDM V - FKM T - PTFE	G - BSP N - NPT F - Flange
Example configuration						
MPF 10-	PP	TN	T	P	E	G

Repair kits		
Set 1	Dry end	Air valve, silencer, gasket
Set 2	Wet end	Diaphragms, ball cages, balls, seats, housing gasket

SUBJECT TO TECHNICAL MODIFICATIONS