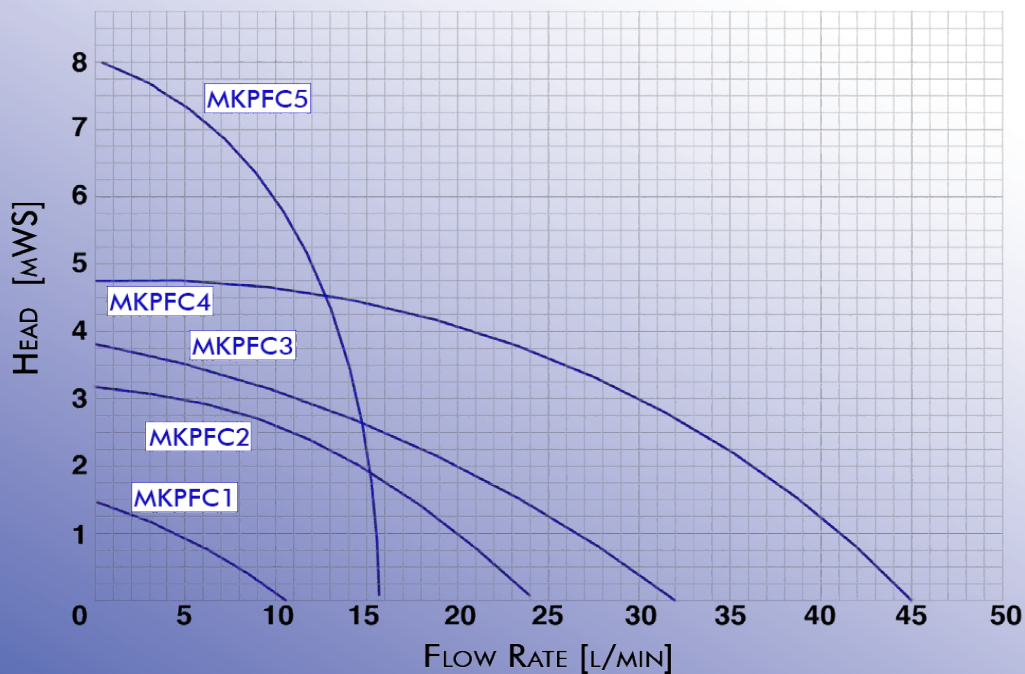


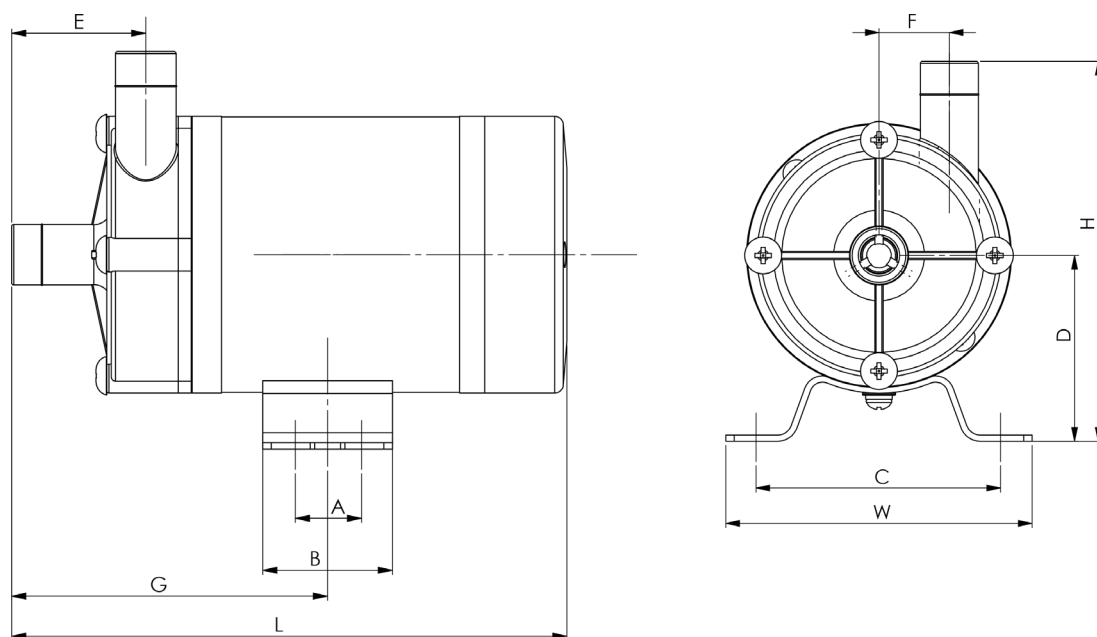
## MAGNETIC COUPLED PUMP MKPFC



### TECHNICAL DATA

Model	MKPFC 1	MKPFC 2	MKPFC 3	MKPFC 4	MKPFC 5
Ports	14 mm	3/4"	3/4"	3/4"	3/4"
Flow Rate (max.)	10 l/min	24 l/min	32 l/min	45 l/min	15,5 l/min
Head (max.)	1,5 mWS	3,2 mWS	3,8 mWS	4,8 mWS	8 mWS
Viscosity (max.)	20 cP	20 cP	20 cP	20 cP	20 cP
Motor	6 W	20 W	45 W	65 W	45 W
IP-Protection Class	IP 54	IP 54	IP 54	IP 54	IP 54
Temperature	-5/+90°C	-5/+90°C	-5/+90°C	-5/+90°C	-5/+90°C
Weight	0,9 kg	1,9 kg	3,1 kg	3,8 kg	3,1 kg





Model	A	B	C	D	E	F	G	W	H	L
<b>MKPFC1</b>	-	30	60	36	31	17	74	74	83	129
<b>MKPFC2</b>	30	50	68	56	38,5	28,5	106	85	115	211
<b>MKPFC3</b>	40	64	100	60	48	31	131	120	130	248
<b>MKPFC4</b>	45	75	100	64	48	31	137	120	134	260
<b>MKPFC5</b>	40	64	100	60	40	40	120	120	130	234

**Model Configuration**

Model	Housing	Gasket	Shaft and Bushing	Motor
MKPFC1 MKPFC2 MKPFC3 MKPFC4 MKPFC5	PP - Polypropylen PV - PVDF	V - FKM E - EPDM	PA - PTFEC + Ceramic	1P -one Phase

**Example Configurration**

MKPFC3 -	PP	V	PA	1P
----------	----	---	----	----

SUBJECT TO TECHNICAL CHANGES